

For use with Invertek E3 Drives w/ Factory Switch and Potentiometer

1100  
1101  
1102  
1103  
1104  
1105  
1106  
1107  
1108  
1109  
1110  
1111  
1112  
1113  
1114  
1115  
1116  
1117  
1118

**Keyence Setup**

Initial Setup

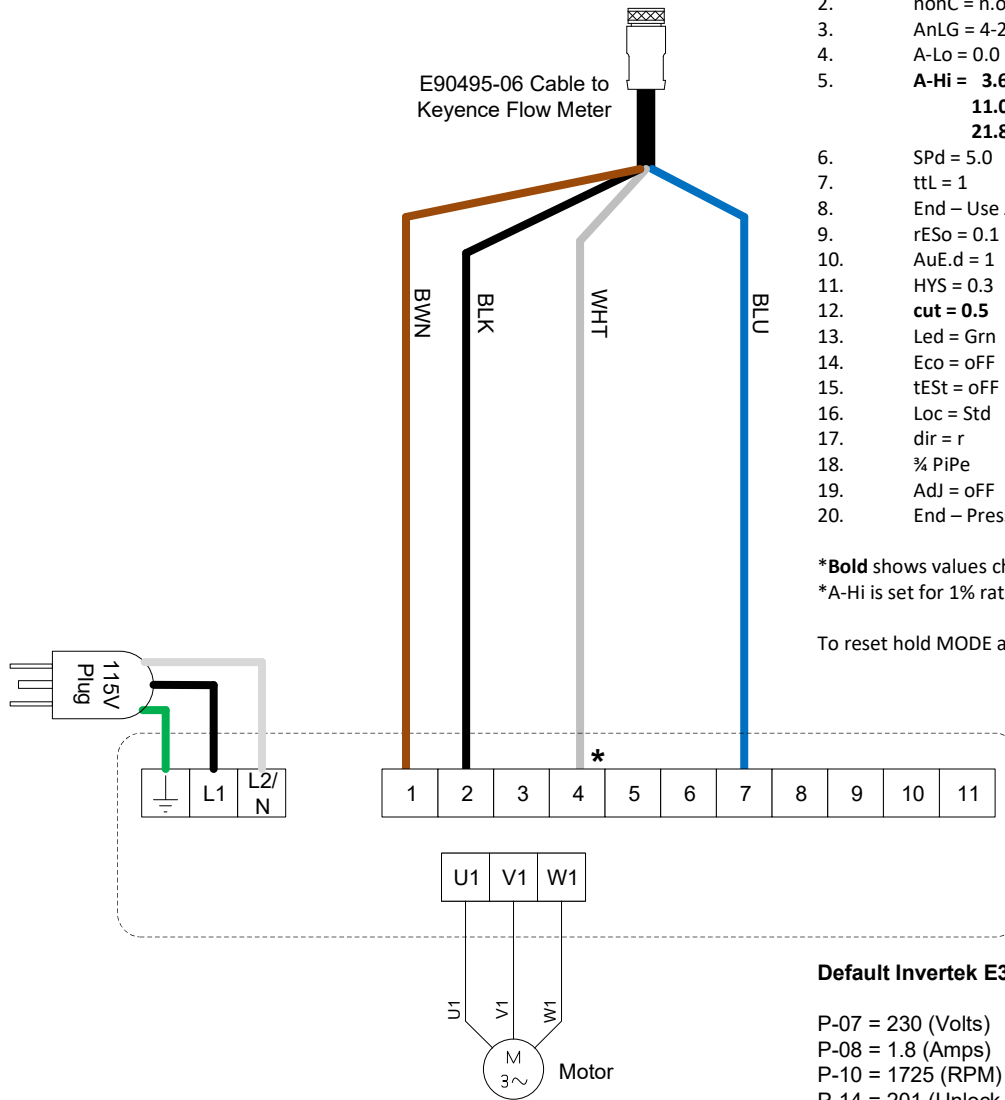
1. Starting Screen shows P-n
2. Hold MODE + ↑
3. **Unit = G**
4. **P-n = PnP**
5. **Ch.2 = AnLG**
6. dir = R
7. ¼ PiPe
8. End – Press MODE

Full Setup (After Initial Setup Hold MODE)

1. out 1 = Std
2. nonC = n.o.
3. AnLG = 4-20
4. A-Lo = 0.0
5. **A-Hi = 3.6 (LPB 2)**  
**11.0 (LPB 6)**  
**21.8 (LPB 12)**
6. SPd = 5.0
7. ttL = 1
8. End – Use Arrows to Show FULL – Press MODE
9. rESo = 0.1
10. AuE.d = 1
11. HYS = 0.3
12. **cut = 0.5**
13. Led = Grn
14. Eco = oFF
15. tEst = oFF
16. Loc = Std
17. dir = r
18. ¼ PiPe
19. Adj = oFF
20. End – Press MODE

\***Bold** shows values changed from Keyence default.  
\*A-Hi is set for 1% ratio by default.

To reset hold MODE and press ↑ 5x.



**\* For customer supplied 4-20mA speed reference.**

1. Remove white wire.
2. Install + to 4.
3. Install – to 7. (Do not remove blue wire)

**Default Invertek E3 Drive Settings**

- P-07 = 230 (Volts)
- P-08 = 1.8 (Amps)
- P-10 = 1725 (RPM)
- P-14 = 201 (Unlock Parameters)
- P-52 = 1 (Enable Auto-Tune, will revert to 0)
- P-12 = 0 Terminal Mode Macro
- P-15 = 4 Macro Function 4
- P-16 = In-Pot Internal Potentiometer
- P-47 = t 4-20 External 4-20mA Signal
- P-30 = Auto-0 Auto-Start on Power Cycle – nc - off
- P-31 = 3 Keypad Start Mode (Terminal)
- P-64 = 3 Switch Auto-Off-Hand Setting
- P-14 = 0 (Lock Parameters)
- P-01 = 2700 (Max RPM)

Name	Date
Drawn	BLB 6/20/23
Checked	

THE INFORMATION CONTAINED IN THIS DRAWING IS THE SOLE PROPERTY OF ATLANTIS TECHNOLOGIES LLC. ANY REPRODUCTION IN PART OR WHOLE WITHOUT THE WRITTEN PERMISSION OF ATLANTIS TECHNOLOGIES LLC IS PROHIBITED.



308 High Tech Drive  
Oakdale, PA 15071  
724-695-2900

www.atlantisllc.com

Title			
LPB Power Supply Wiring Invertek E3 VFD w/ Integrated Switch/Potentiometer			
Project		A-15400-PS	
Rev	11	Page	1 of 1