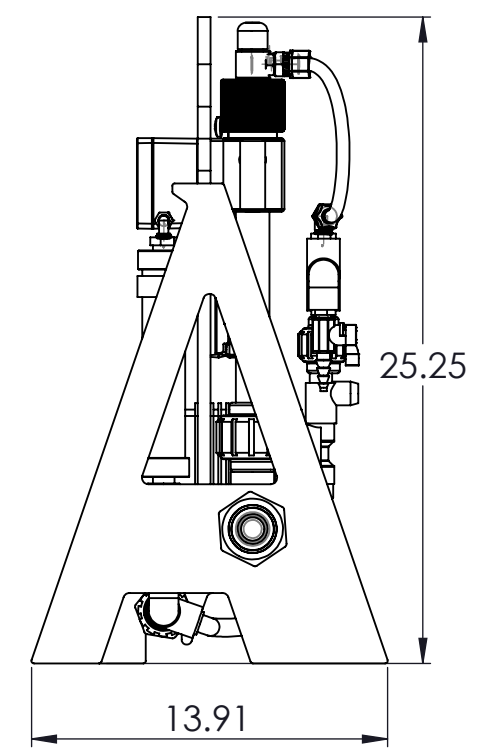
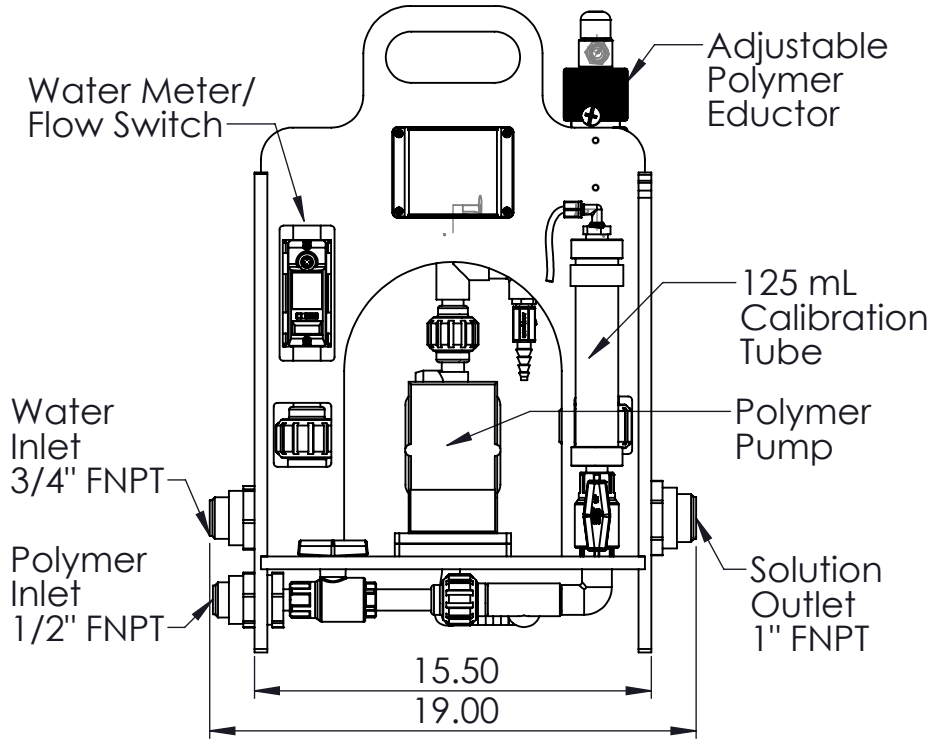
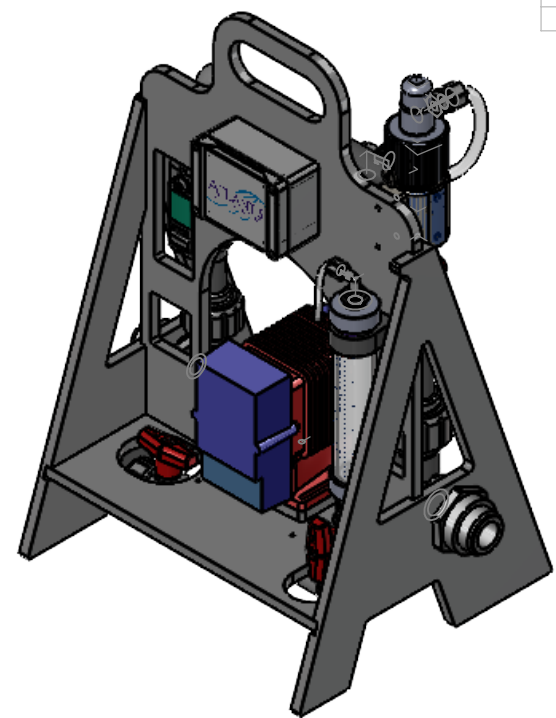
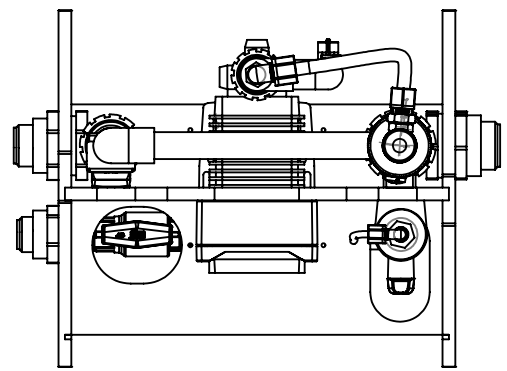


REVISIONS			
REV.	DESCRIPTION	DATE	APPROVED



THE INFORMATION CONTAINED IN THIS DRAWING IS THE SOLE PROPERTY OF ATLANTIS TECHNOLOGIES LLC. ANY REPRODUCTION IN PART OR WHOLE WITHOUT THE WRITTEN PERMISSION OF ATLANTIS TECHNOLOGIES LLC IS PROHIBITED.

THIRD ANGLE PROJECTION	
UNLESS OTHERWISE SPECIFIED DIMENSIONS ARE IN INCHES TOLERANCES ARE:	CAD GENERATED DRAWING, DO NOT MANUALLY UPDATE
FRACTIONS DECIMALS ANGLES	APPROVALS DATE
+ .XX+ .03 +_1°	DRAWN MV 8/7/19
.XXX+.010	CHECKED
MATERIAL PVC/FKM/PP	RESP ENG
FINISH	MFG ENG
NEXT ASSY USED ON	QUAL ENG
APPLICATION DO NOT SCALE DRAWING	



2.3 GPH Polymer Feeder

SIZE B	DWG. NO. A-15600-WPN-023-WPN-023	REV. 00
CAD FILE:		SHEET 1 OF 1