

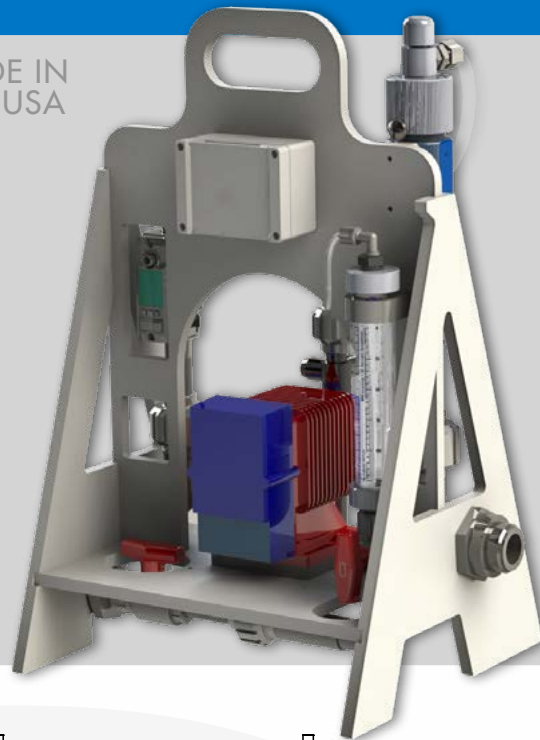
POLYMER MAKEDOWN SYSTEM A-15600

The *Atlantis Technologies* Polymer Makedown System is a compact polymer feed system that can be constructed in various pump configurations including 2.3, 4.0, and 8.0 gph.

The system is contained within a custom-built HDPE stand and is fully assembled and tested at our manufacturing facility.

- Requires 115 VAC 15 Amp Supply (power cord not illustrated)
- PVC piping, Viton elastomers, & HDPE stand
- Polymer inlet must be gravity fed with adequate line size for polymer to flow
- Viscosity should not exceed 10,000 cps
- Max water flow is 20 gpm

MADE IN
THE USA



SPECIFICATIONS

(NOT TO SCALE)

